

10 9 8 7 6 5 4 3 2 1

F

E

D

C

B

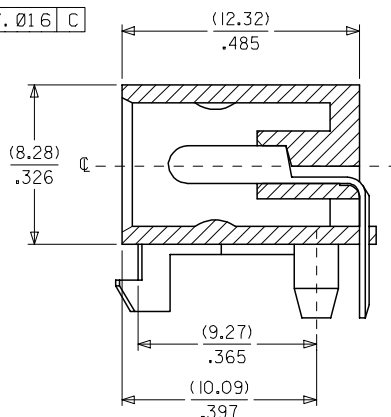
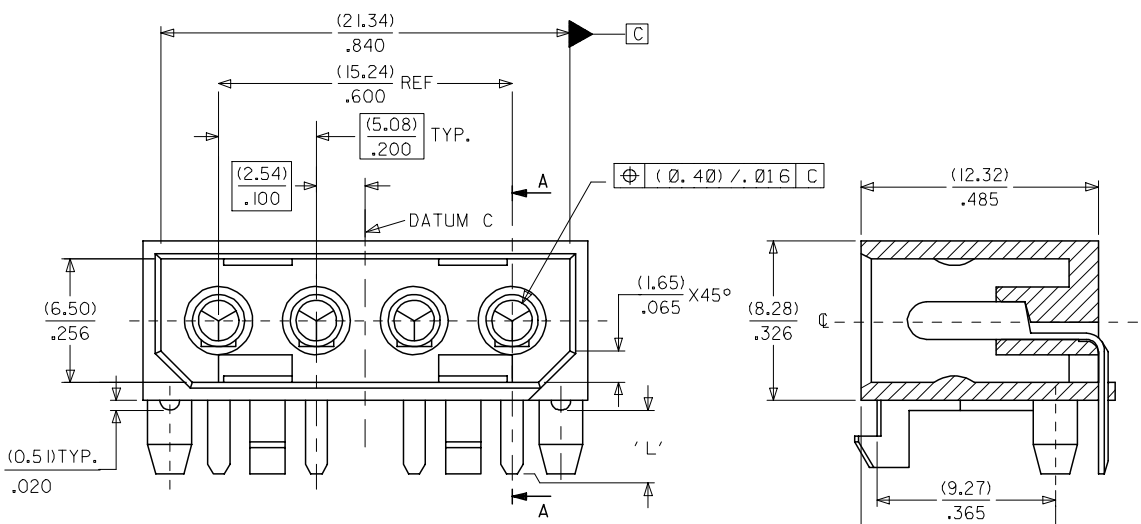
F

E

D

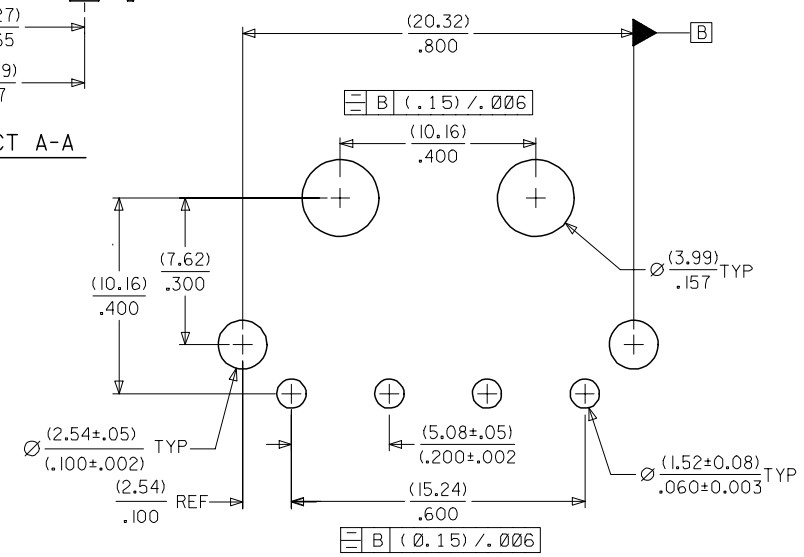
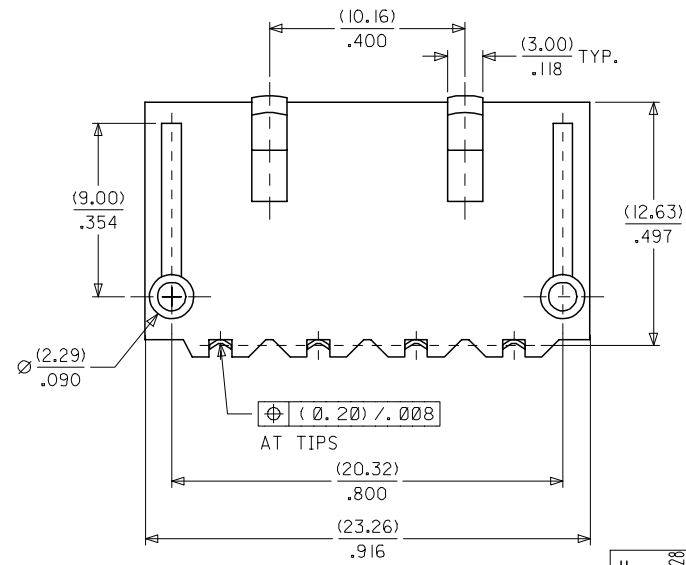
C

B



SECT A-A

- NOTES:
- MATERIAL  
HOUSING - NYLON, TYPE 6/6, 94V-2, COLOR - NATURAL  
TERMINAL - PHOSPHOR BRONZE  
PLATING - POSTPATE (0.00254)/.000100 MIN.  
TIN/LEAD OR TIN OVER (0.00127)/.000050 MIN.  
NICKEL OVERALL.
  - PART INTENDED FOR USE WITH PLUG # 8981-4P AND  
TERMINAL # 8980-R\*
  - PRODUCT SPEC 8981 APPLIES.



RECOMMENDED P.C. BOARD LAYOUT (TOL. +/- (.13)/.005)

MAT'L NO.	ENG. NO.	'L'	PLATING OPTION
A-8981-4R-1	15-24-4041	(3.56) .140	TIN/LEAD
AX-8981-4R-2	-----	(2.79) / .110	TIN/LEAD
AX-8981-4R-3	-----	(2.92) / .115	TIN/LEAD
A-8981-4R-1-LF	15-24-4441	(3.56) / .140	TIN

ADD ASSY P/N FOR LF  
EC NO: S2005-0209  
DRAWN:KMG0H  
CHKD:PTLIM  
APPR:SCLOW

QUALITY SYMBOLS  
▽=0  
▽=0

GENERAL TOLERANCES (UNLESS SPECIFIED)		DIMENSION STYLE		SCALE	DESIGN UNITS	THIRD ANGLE PROJECTION
		MM	INCH	MM/IN	NTS	INCH
4 PLACES	± ---	± ---	± ---	DRAWN BY	DATE	TITLE
3 PLACES	± ---	± .008	± ---	GRX IE	2001/05/02	SALES DRAWING HEADER, 4 CKTS RIGHT ANGLE MOUNT
2 PLACES	± 0.20	± ---	± ---	CHECKED BY	DATE	
1 PLACE	± ---	± ---	± ---	KCL ING	2001/05/02	MOLEX INCORPORATED
ANGULAR ± 3 °				APPROVED BY	DATE	
DRAFT WHERE APPLICABLE MUST REMAIN WITHIN DIMENSIONS		SEE TABLE		SKT0H	2001/05/03	DOCUMENT NO. SD-8981-4R1
		SIZE A3		THIS DRAWING CONTAINS INFORMATION THAT IS PROPRIETARY TO MOLEX INCORPORATED AND SHOULD NOT BE USED WITHOUT WRITTEN PERMISSION		SHEET NO. 1 OF 1

9 8 7 6 5 4 3 2 1